

1. 介绍 INTRODUCTION

1.1. 目的 Purpose

本文件主要介绍了中航锂电科技有限公司生产的锂离子动力电池的产品特性以及使用规范。

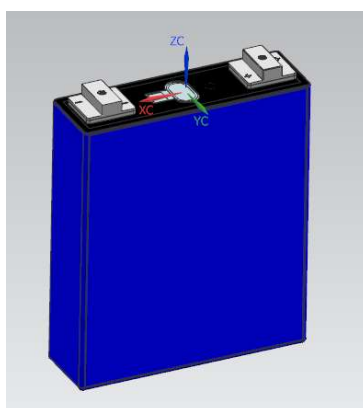
This document describes the characteristics and handling information of the rechargeable lithium-ion cell manufactured and supplied by China Lithium Battery Technology Co., Ltd.

1.2. 保密 Confidentiality

本文件所载信息仅供授权的个人或实体使用，内含涉密信息。任何针对本文件内容的披露、复制、分发或其他行为都是严格禁止的，甚至是非法的。

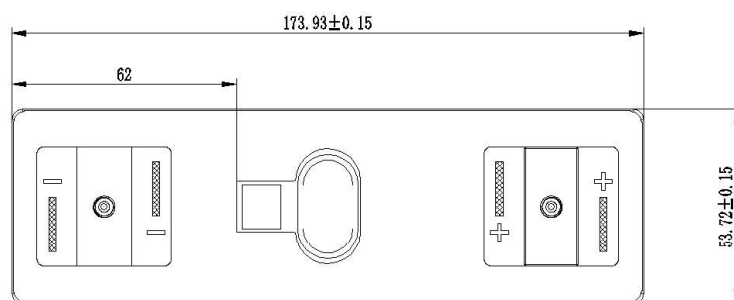
The information contained in this document is intended solely for the use of the individual or entity that is authorized to receive it. It contains confidential or privileged information. Any disclosure, copying, distribution or taking an action in reliance on the contents of this document is strictly prohibited and may be unlawful.

1.3. 坐标系 Coordinate System



2. 电池信息 CELL DATA

2.1. 产品识别 Cell Identification



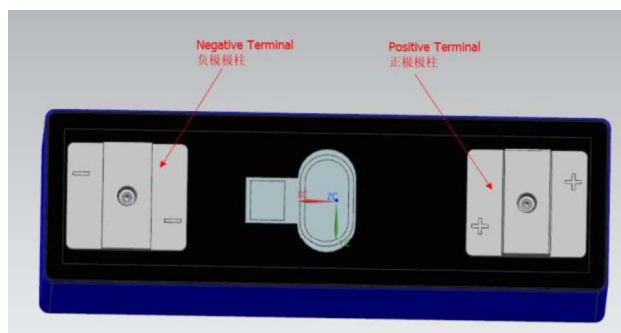
电池顶部的盖板表面上同时有二维码和编码，其信息一致。

The DMC code and ID numbers imply the same information and both are inscribed on the cap plate.

2.1.1 正负极极柱区分 Identification of Positive and Negative Terminal

符号“+”表示正极极柱，符号“-”表示负极极柱。

The symbol "+" indicates the positive pole, and the symbol "-" indicates the negative pole.



2.2. 结构信息 Structure Data

2.2.1. 单体电池尺寸 Cell Dimensions

项目 Item	数值 Value	备注 Remark
电池长度 x 宽度 x 厚度 /mm Cell Width x Height x Thickness /mm	(173.93±0.15) x (204.63±0.4) x (53.72±0.15), 不含极柱 (without terminal) (173.93±0.15) x (217.9±0.4) x (53.72±0.15), 含 极柱(with terminal)	厚度尺寸测量条件: 20%SOC, 300±20 kgf Measurement conditions for thickness dimensions: 20%SOC, 300±20 kgf
电池重量/kg Cell Weight/kg	4.24±0.08	/
电池体积/L Cell Volume/L	1.91, 不含极柱(without terminal)	/

2.2.2. 电池外观 Cell Image

